

CZ and CRIG multi-pin and single-pole connectors

For harsh/heavy industrial areas

UL Recognized
CSA Certified
NEMA 4X, 6P; IP68

9P

Applications:

- Heavy duty control and instrumentation
- Single-pole power for harsh/heavy industrial areas

Certifications and compliances:

CZ series:

- UL recognized: UL1977
- CSA: C22.2 No. 182.3
- CE marked

CRIG series:

- UL recognized: UL486A-486B
- CSA: C22.2 No. 65-13
- CE marked

Environmental ratings:

- NEMA 4X, 6P; IP68
- Ambient temperature: suitable for use from -60°C to +55°C

Standard materials and finishes:

- Contacts – silver plated copper, crimp style; multi-lam style contacts on single poles
- Shells – high tensile strength aluminum; hard anodic coating per MIL-A-8625, Type III, olive drab color
- Inserts – rigid insert: thermoplastic; resilient insert: silicone rubber



General specifications:

Property	Standard	Test method
Humidity resistance	MIL-DTL-5015/MIL-STD-1344	Method 1002, Type I
Moisture resistance	MIL-DTL-5015/MIL-STD-1344	Method 1002, Type II, test condition A
Ingress	IEC60529	IPX8
Corrosion resistance	MIL-STD-1344	Meets method 1001.1, test condition B
Dust resistance	IEC60529	IP6X
Vibration	MIL-DTL-5015/MIL-STD-1344	Method 2005, test condition II
Contact retention	MIL-DTL-5015/MIL-STD-1344	Method 2007.1

Electrical ratings:

Overview of shell options with voltage ratings

Shell size	No. of contacts	Contact size	Voltage rating
12	3-10	16-10 AWG	A, D
16	4-37	16-8 AWG	A, D
20	7-68	16-8 AWG	A, B, D, E
24	37-58	16-12 AWG	A, D
C24	1	313-777 MCM	1000V
28	42	12 AWG	D

Service voltage ratings

Service voltage	MIL-DTL-5015 specifications	
	Non-circuit breaking	
	DC volts RMS	AC volts RMS
A	700	500
D	1250	900
E	1750	1250
B	2450	1750

Service voltage	NEC ratings	
	Non-circuit breaking	Circuit breaking
	DC volts RMS	AC volts RMS
A	250	240
D	600	600
E	600	600
B	600	600

Contact amperage ratings

Contact size	Non-circuit breaking current rating ^A
16 AWG	18
12 AWG	30
10 AWG	40
8 AWG	55
4 AWG	95
1/0 AWG	155
4/0 AWG	225
313 MCM	636
444 MCM	796
535 MCM	898
777 MCM	1135

Consult the NEC General Wiring Guidelines, Article 310 prior to installing cable. Guidelines around wire temperature rating, ambient temperature correction factors and the number of conductors may limit the maximum amperage of the individual conductors.

^A Cable current rating must meet or exceed the ratings of the contacts to utilize connector at fully rated current.

12 shell

Applications:

- Heavy duty control and instrumentation

Features:

- Intermateable with other brands
- Reversible inserts are compatible with all panel mount, in-line, male and female shells
- Exclusive visual mating alignment allows for easy installation
- Easily accessible wire terminals
- Ample wiring space within shells
- Double lead thread coupling
- Reversible 8-point diamond cord grip relieves strain on conductors (patent pending)
- Suited for use with Type P cable
- Impact-resistant



Certifications and compliances:

- UL recognized: UL1977
- CSA: C22.2 No. 182.3
- CE marked

Environmental ratings:

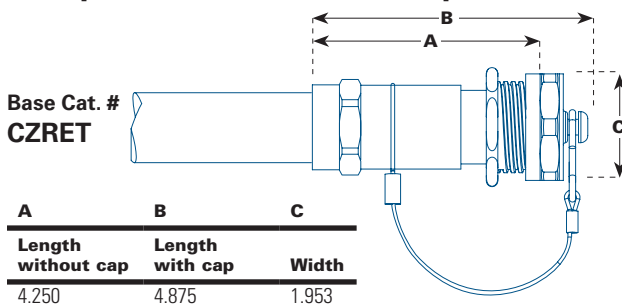
- NEMA 4X, 6P; IP68
- Ambient temperature: -60°C to +55°C

Standard materials and finishes:

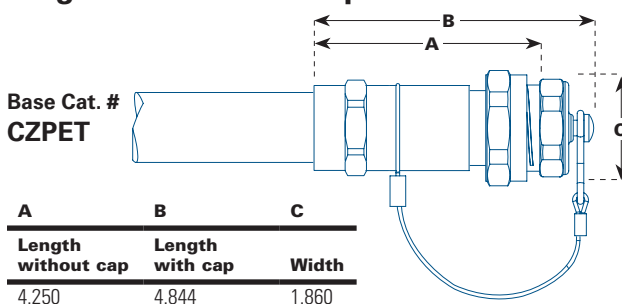
- Contacts – silver plated copper, crimp style
- Shells – high tensile strength aluminum; hard anodic coating per MIL-A-8625, Type III, olive drab color
- Rigid insulators – thermoplastic
- Resilient inserts – silicone rubber

Dimensions (in inches):

Receptacle with conduit adapter

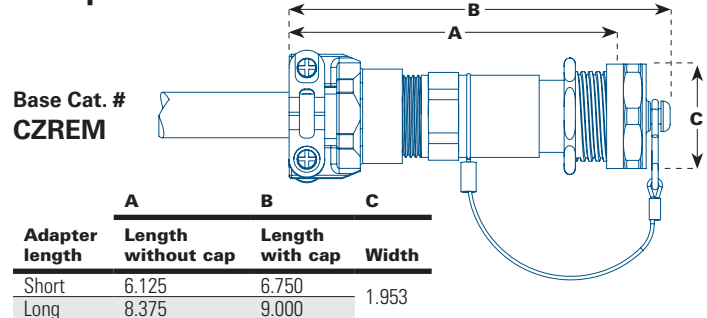


Plug with conduit adapter

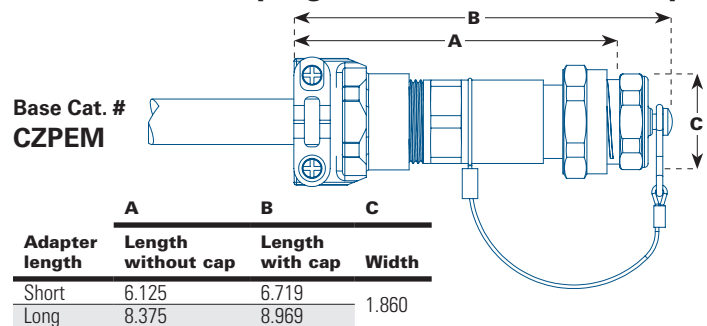


Dimensions (in inches) (continued):

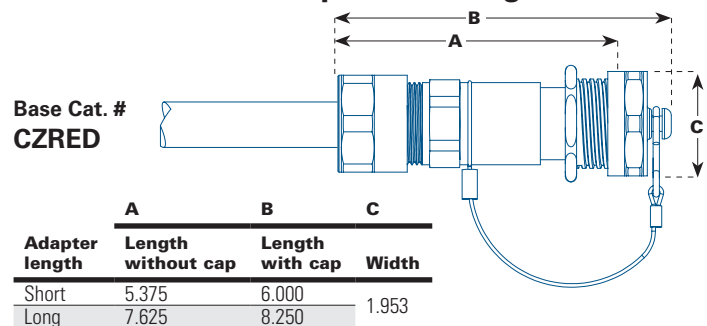
Cable mounted receptacle with mechanical clamp



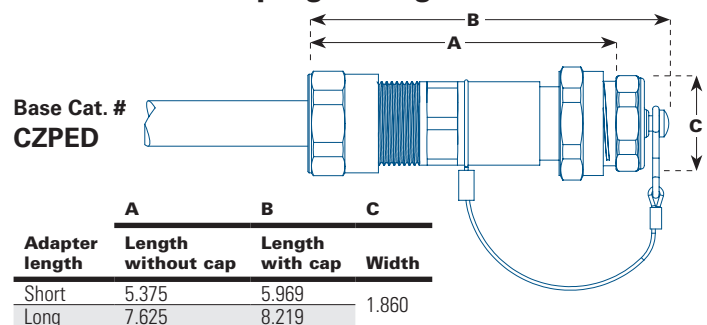
Cable mounted plug with mechanical clamp



Cable mounted receptacle with gland nut



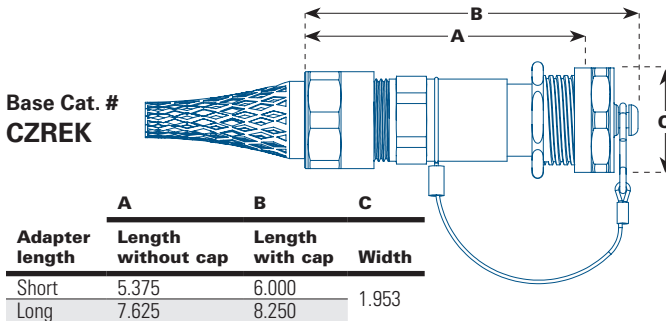
Cable mounted plug with gland nut



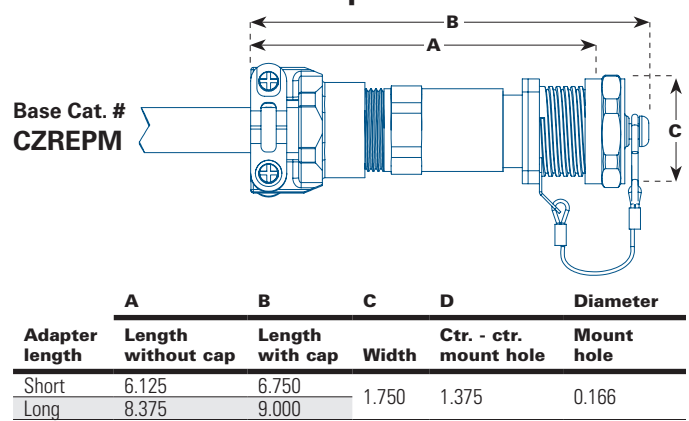
12 shell

Dimensions (in inches) (continued):

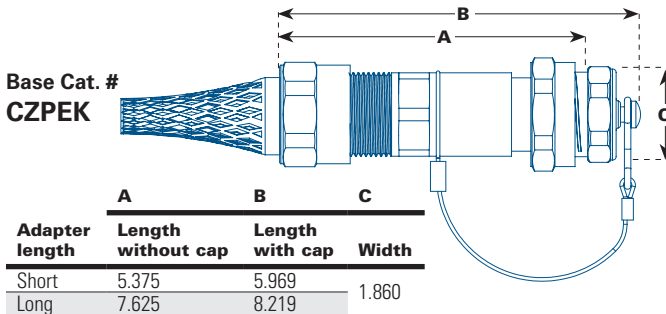
Cable mounted receptacle with basketweave



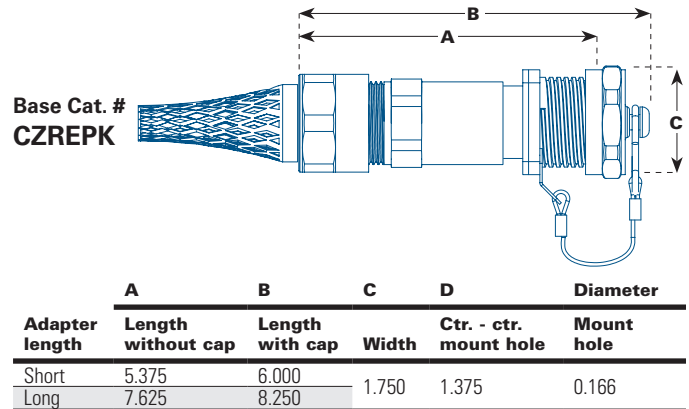
Cable mounted square flange receptacle with mechanical clamp



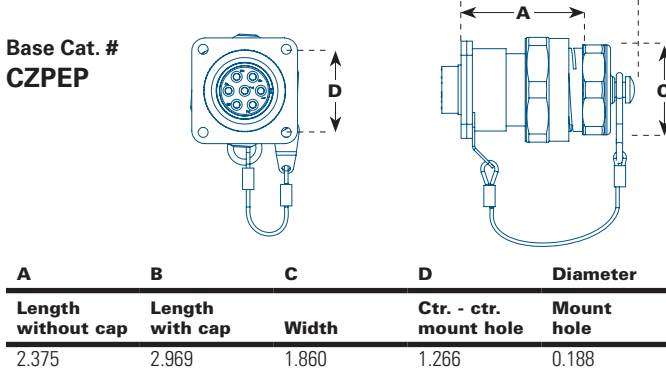
Cable mounted plug with basketweave



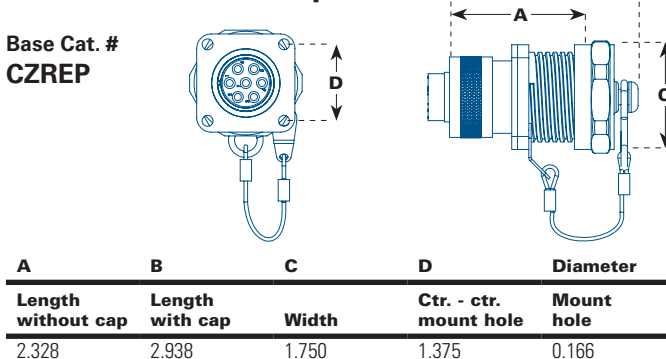
Cable mounted square flange receptacle with basketweave



Panel mounted plug



Panel mounted receptacle



12 shell

Ordering information:

Part number example

CZ-PEKL-0812-310PN

CZ

Series

CZ	Non-hazardous rated connector
----	-------------------------------

Base call-out

P	Plug
R	Receptacle

P

Environmental cover

E	Environmental cover
L	No cover

Cable hardware

K	In-line cable mount with basketweave clamp
M	In-line cable mount with mechanical clamp
D	In-line cable mount with gland nut
P	Panel mount

E

Coupling nut

BLANK	Standard coupling nut
J	Jack nut

Adapter length

L	Long
BLANK	Standard or panel mount

K

Grommet code

BLANK	Panel mount
See table below	
In-line cable mount	

L

Grommet

	Cable diameter	
	in.	mm.
03	0.125 - 0.188	1.6 - 3.2
04	0.125 - 0.250	3.2 - 6.4
06	0.250 - 0.375	6.4 - 9.5
08	0.375 - 0.500	9.5 - 12.7
10	0.500 - 0.625	12.7 - 15.9
12	0.625 - 0.750	15.9 - 19.1
14	0.750 - 0.875	19.1 - 22.2

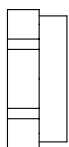
08

Contact amperage ratings:

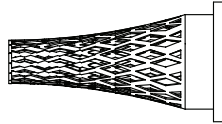
Contact size	Non-circuit breaking current rating ^A
16 AWG	18
12 AWG	30
10 AWG	40

NEC service voltage ratings:

Service voltage	Non-circuit breaking	Circuit breaking
	DC volts RMS	AC volts RMS
A	250	240
D	600	600
E	600	600
B	600	600



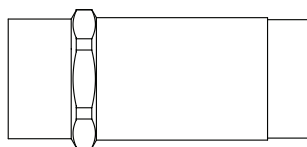
Cable hardware



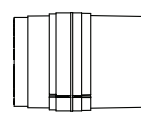
Grommet



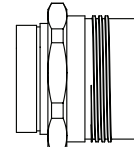
Cable adapter



Insert



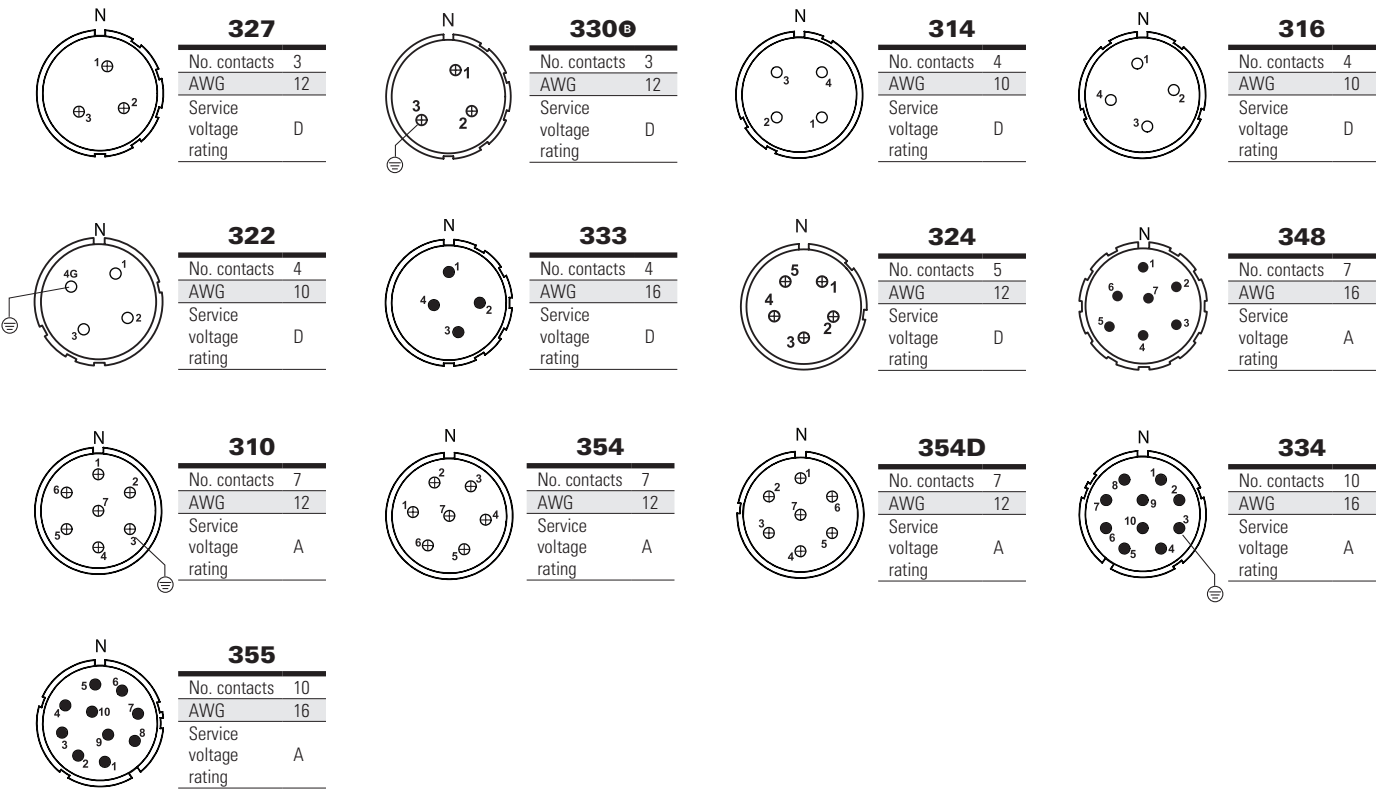
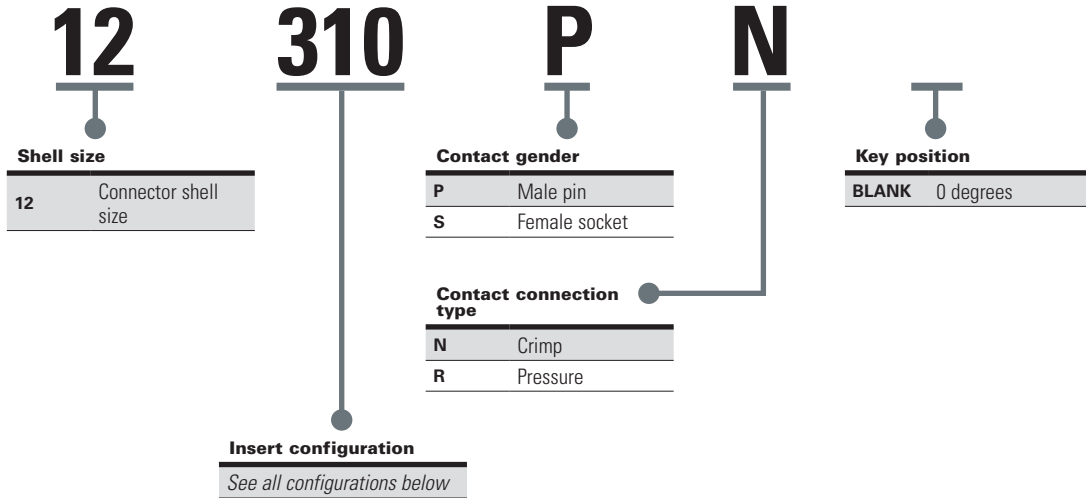
Skirt



Environmental cover

^ACable current rating must meet or exceed the ratings of the contacts to utilize connector at fully rated current.

12 shell



Contact symbol	○	●	⊕	○	⦿	⦿	⊕	⊕	⊕	⊕	⊕	⊕	⊕
AWG	18	16	12	10	8	4	1/0	4/0	313 MCM	444 MCM	535 MCM	777 MCM	

ⓑ Made to order item. Contact factory for availability and lead time.

16 shell

Applications:

- Heavy duty control and instrumentation

Features:

- Intermateable with other brands
- Reversible inserts are compatible with all panel mount, in-line, male and female shells
- Exclusive visual mating alignment allows for easy installation
- Easily accessible wire terminals
- Ample wiring space within shells
- Double lead thread coupling
- Reversible 8-point diamond cord grip relieves strain on conductors (patent pending)
- Suited for use with Type P cable
- Impact-resistant



Certifications and compliances:

- UL recognized: UL1977
- CSA: C22.2 No. 182.3
- CE marked

Environmental ratings:

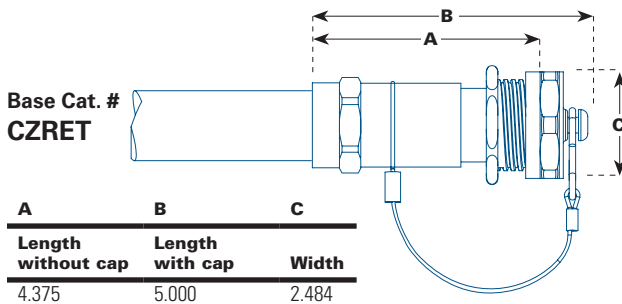
- NEMA 4X, 6P; IP68
- Ambient temperature: -60°C to +55°C

Standard materials and finishes:

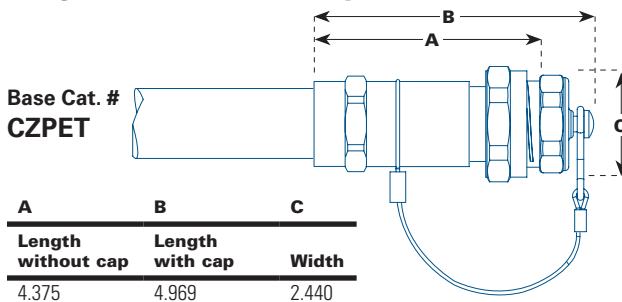
- Contacts – silver plated copper, crimp style
- Shells – high tensile strength aluminum; hard anodic coating per MIL-A-8625, Type III, olive drab color
- Rigid insulators – thermoplastic
- Resilient inserts – silicone rubber

Dimensions (in inches):

Receptacle with conduit adapter

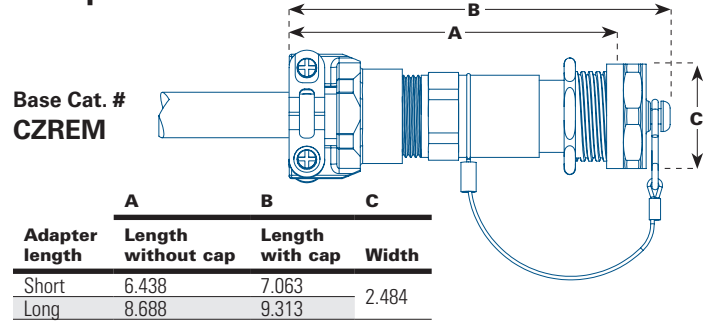


Plug with conduit adapter

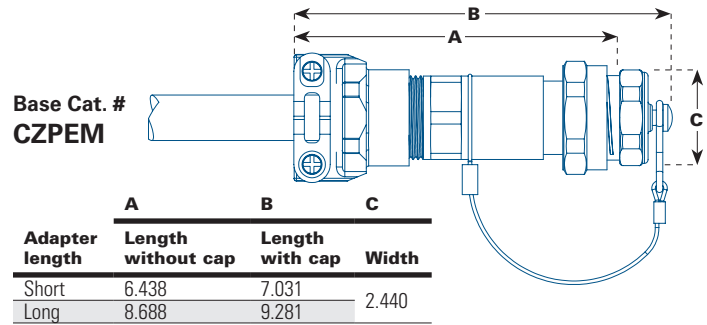


Dimensions (in inches) (continued):

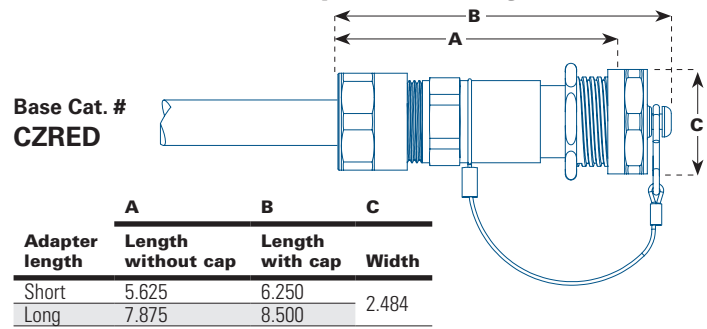
Cable mounted receptacle with mechanical clamp



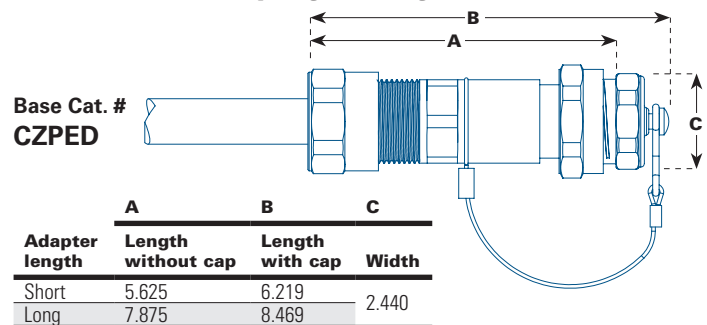
Cable mounted plug with mechanical clamp



Cable mounted receptacle with gland nut



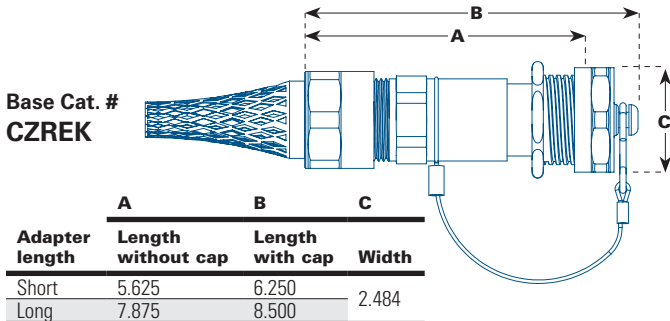
Cable mounted plug with gland nut



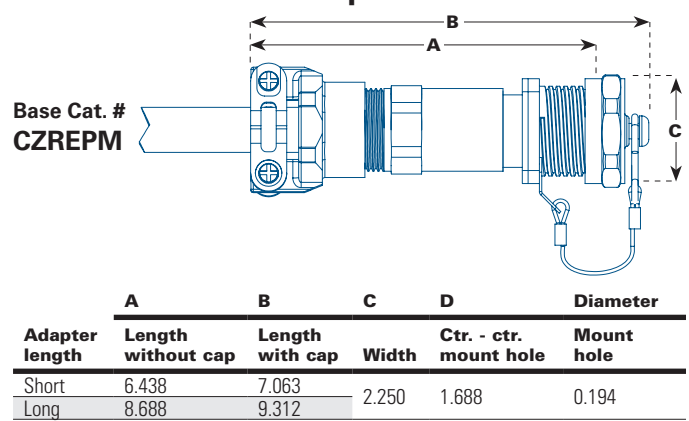
16 shell

Dimensions (in inches) (continued):

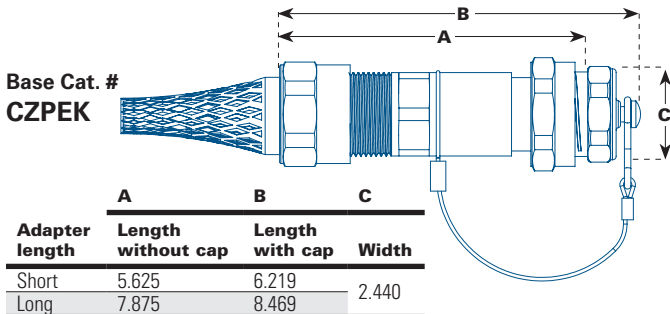
Cable mounted receptacle with basketweave



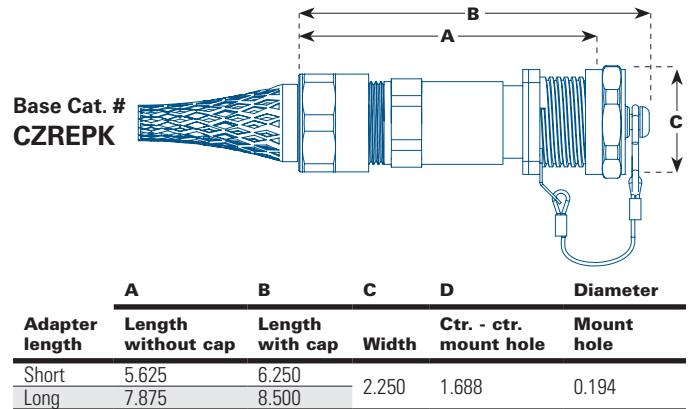
Cable mounted square flange receptacle with mechanical clamp



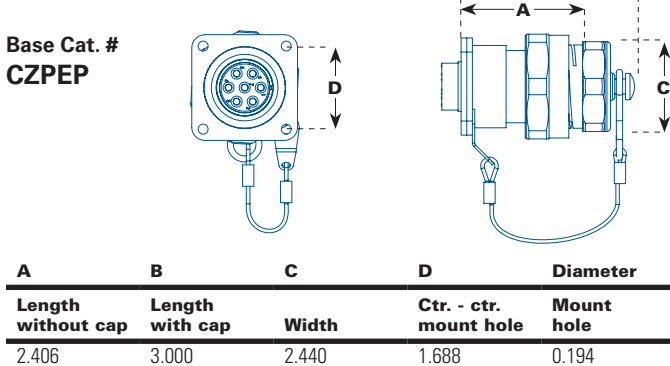
Cable mounted plug with basketweave



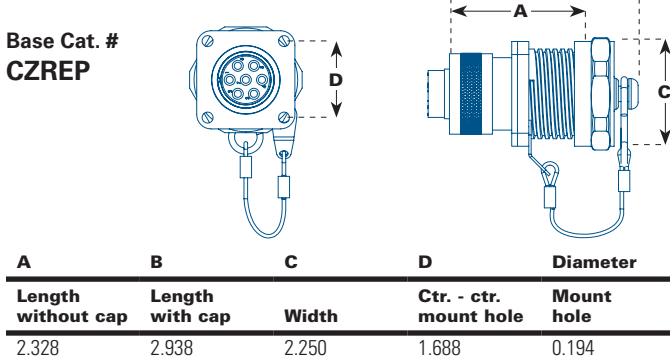
Cable mounted square flange receptacle with basketweave



Panel mounted plug



Panel mounted receptacle



16 shell

Ordering information:

Part number example

CZ-PEKL-1016-381PN

CZ

Series

CZ	Non-hazardous rated connector
----	-------------------------------

Base call-out

P	Plug
R	Receptacle

P

Environmental cover

E	Environmental cover
L	No cover

Cable hardware

K	In-line cable mount with basketweave clamp
M	In-line cable mount with mechanical clamp
D	In-line cable mount with gland nut
P	Panel mount

E

Coupling nut

BLANK	Standard coupling nut
J	Jack nut

Adapter length

L	Long
BLANK	Standard or panel mount

K

Grommet code

BLANK	Panel mount
-------	-------------

See table below

Grommet		
	Cable diameter	
	in.	mm.
08	0.375 - 0.500	9.5 - 12.7
10	0.500 - 0.625	12.7 - 15.9
12	0.625 - 0.750	15.9 - 19.1
14	0.750 - 0.875	19.1 - 22.2
16	0.875 - 1.000	22.2 - 25.4
18	1.000 - 1.125	25.4 - 28.6
20	1.125 - 1.250	28.6 - 31.8

L

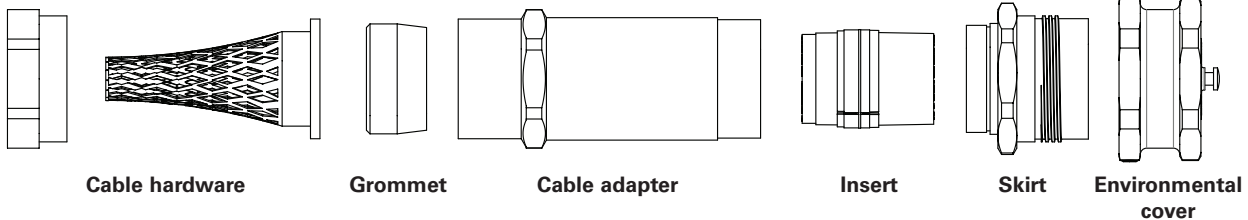
10

Contact amperage ratings:

Contact size	Non-circuit breaking current rating ^A
16 AWG	18
12 AWG	30
10 AWG	40
8 AWG	55
4 AWG	95

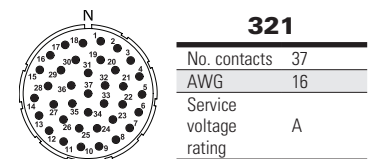
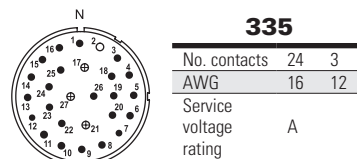
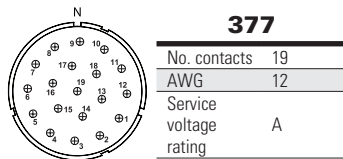
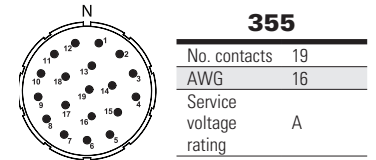
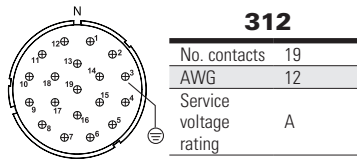
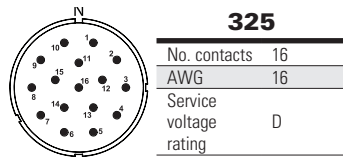
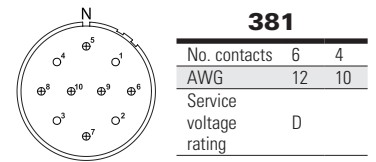
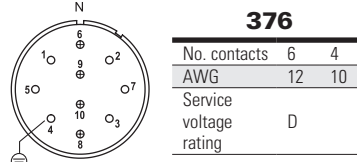
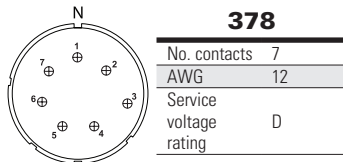
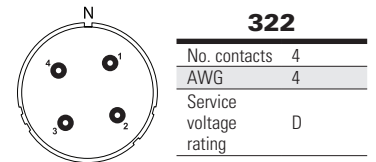
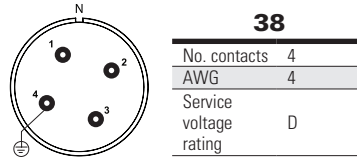
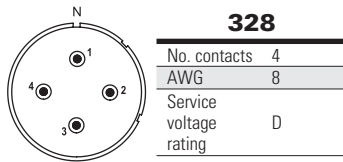
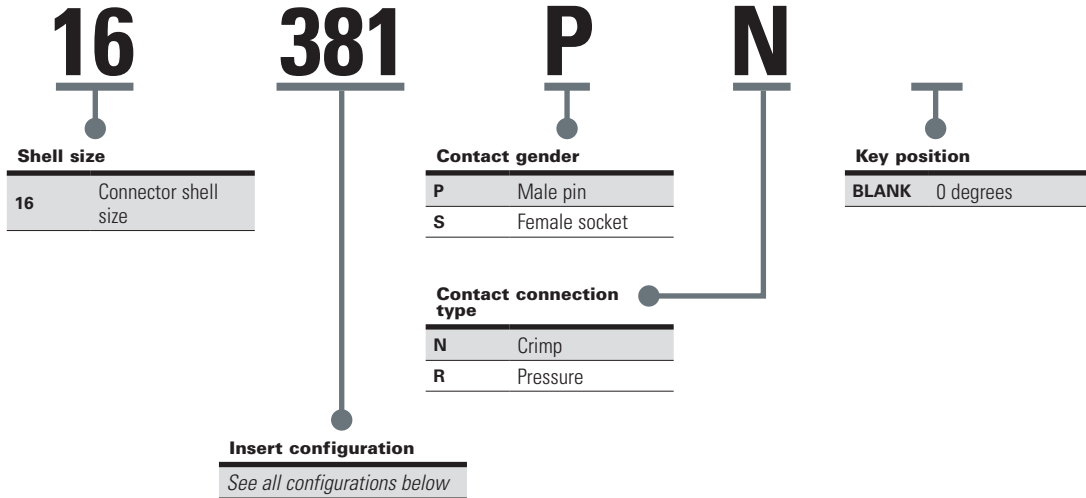
NEC service voltage ratings:

Service voltage	Non-circuit breaking	Circuit breaking
	DC volts RMS	AC volts RMS
A	250	240
D	600	600
E	600	600
B	600	600



^ACable current rating must meet or exceed the ratings of the contacts to utilize connector at fully rated current.

16 shell



Contact symbol	○	●	⊕	○	⊙	⦿	⊕	⊖	⊗	⊘	⊙	⊗
AWG	18	16	12	10	8	4	1/0	4/0	313 MCM	444 MCM	535 MCM	777 MCM

20 shell

Applications:

- Heavy duty control and instrumentation

Features:

- Intermateable with other brands
- Reversible inserts are compatible with all panel mount, in-line, male and female shells
- Exclusive visual mating alignment allows for easy installation
- Easily accessible wire terminals
- Ample wiring space within shells
- Double lead thread coupling
- Reversible 8-point diamond cord grip relieves strain on conductors (patent pending)
- Suited for use with Type P cable
- Impact-resistant



Certifications and compliances:

- UL recognized: UL1977
- CSA: C22.2 No. 182.3
- CE marked

Environmental ratings:

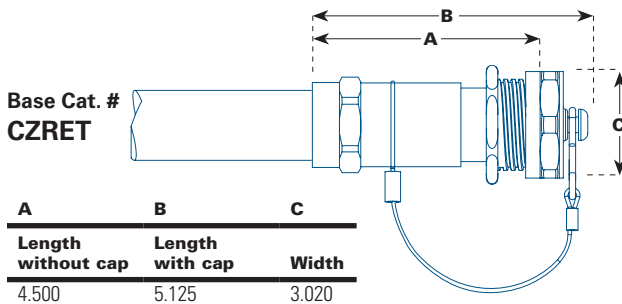
- NEMA 4X, 6P; IP68
- Ambient temperature: -60°C to +55°C

Standard materials and finishes:

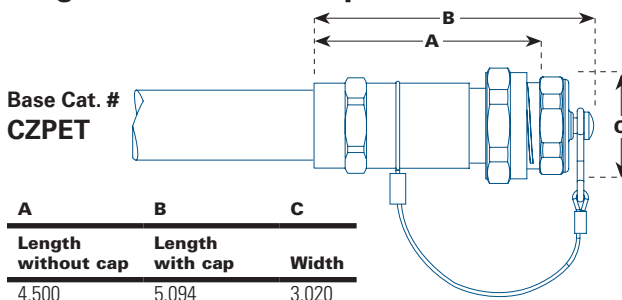
- Contacts – silver plated copper, crimp style
- Shells – high tensile strength aluminum; hard anodic coating per MIL-A-8625, Type III, olive drab color
- Rigid insulators – thermoplastic
- Resilient inserts – silicone rubber

Dimensions (in inches):

Receptacle with conduit adapter

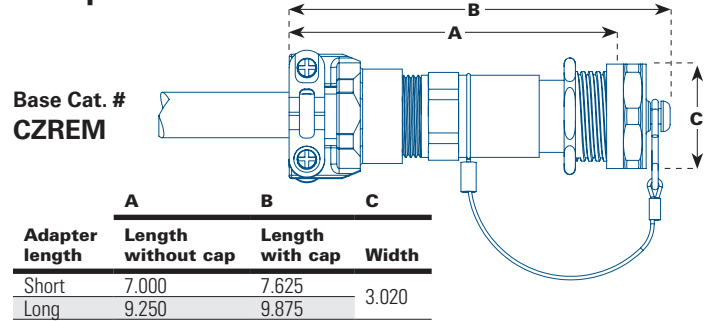


Plug with conduit adapter

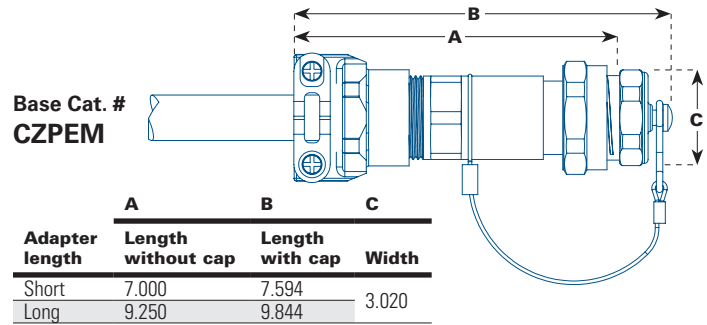


Dimensions (in inches) (continued):

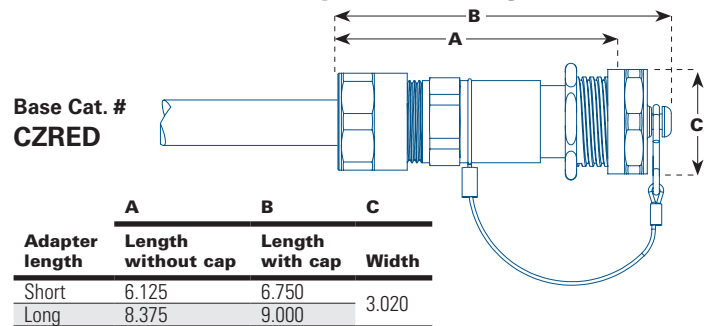
Cable mounted receptacle with mechanical clamp



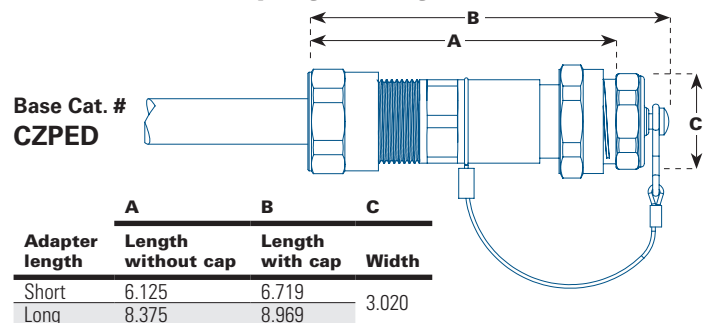
Cable mounted plug with mechanical clamp



Cable mounted receptacle with gland nut



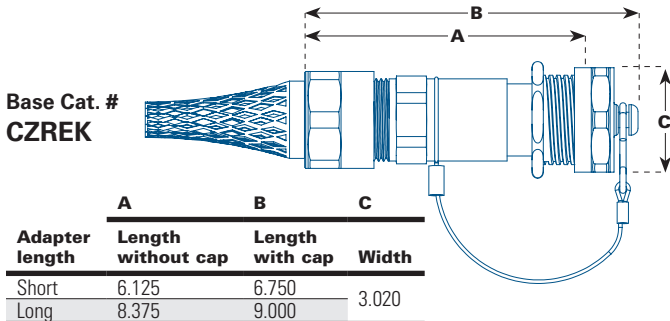
Cable mounted plug with gland nut



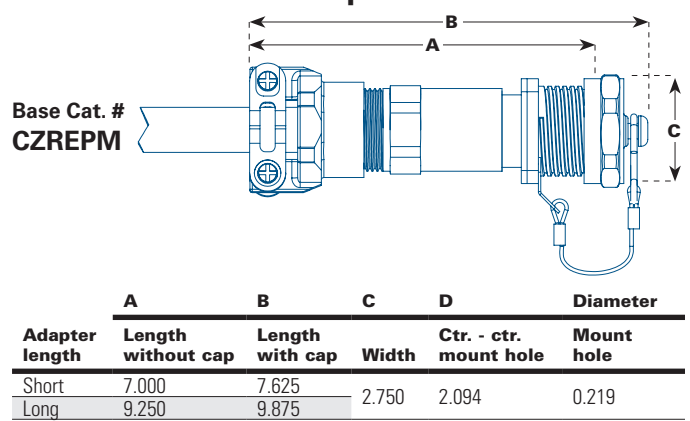
20 shell

Dimensions (in inches) (continued):

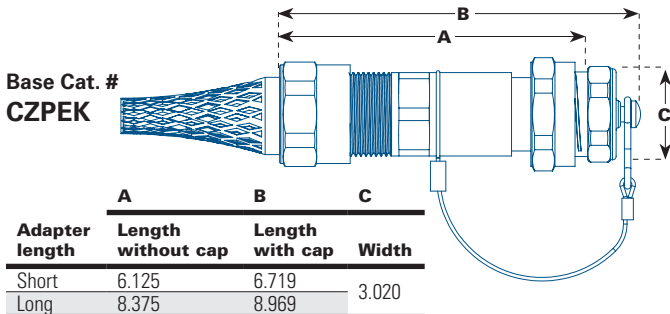
Cable mounted receptacle with basketweave



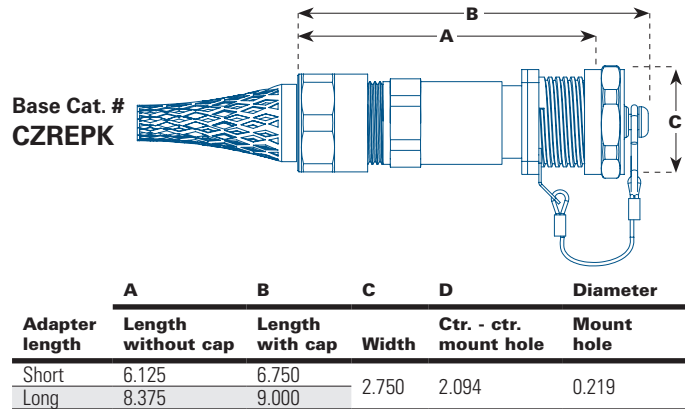
Cable mounted square flange receptacle with mechanical clamp



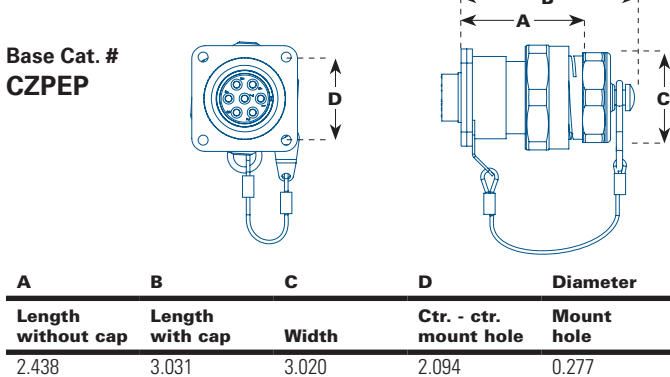
Cable mounted plug with basketweave



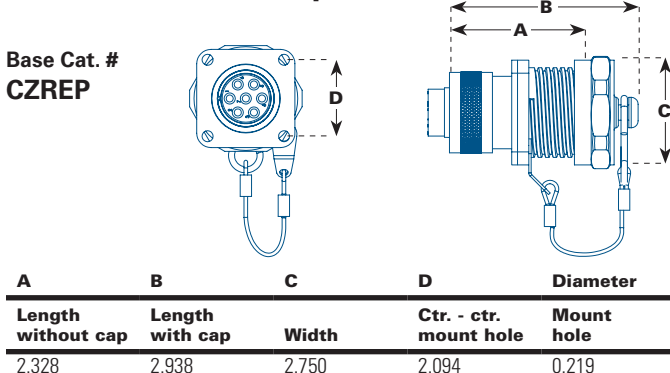
Cable mounted square flange receptacle with basketweave



Panel mounted plug



Panel mounted receptacle



20 shell

Ordering information:

Part number example

CZ-PEKL-1620-376PN

CZ

Series

CZ	Non-hazardous rated connector
-----------	-------------------------------

Base call-out

P	Plug
R	Receptacle

P

E

Environmental cover

E	Environmental cover
L	No cover

Cable hardware

K	In-line cable mount with basketweave clamp
M	In-line cable mount with mechanical clamp
D	In-line cable mount with gland nut
P	Panel mount

K

L

Coupling nut

BLANK	Standard coupling nut
J	Jack nut

Adapter length

L	Long
BLANK	Standard or panel mount

16

Grommet code

BLANK	Panel mount
See table below	In-line cable mount

Grommet

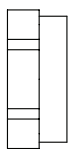
	Cable diameter	
	in.	mm.
10	0.500 - 0.625	12.7 - 15.9
12	0.625 - 0.750	15.9 - 19.1
14	0.750 - 0.875	19.1 - 22.2
16	0.875 - 1.000	22.2 - 25.4
18	1.000 - 1.125	25.4 - 28.6
20	1.125 - 1.250	28.6 - 31.8
22	1.250 - 1.375	31.8 - 34.9
24	1.375 - 1.500	34.9 - 38.1
26	1.500 - 1.625	38.1 - 41.3

Contact amperage ratings:

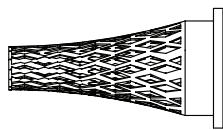
Contact size	Non-circuit breaking current rating ^A
16 AWG	18
12 AWG	30
10 AWG	40
8 AWG	55
4 AWG	95
1/0 AWG	155

NEC service voltage ratings:

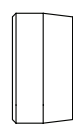
Service voltage	Non-circuit breaking	Circuit breaking
	DC volts RMS	AC volts RMS
A	250	240
D	600	600
E	600	600
B	600	600



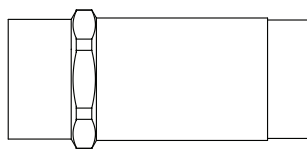
Cable hardware



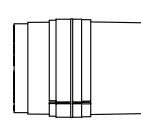
Grommet



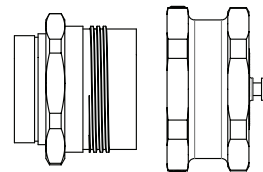
Cable adapter



Insert



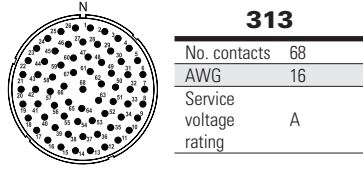
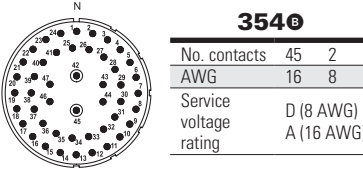
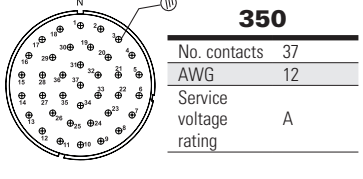
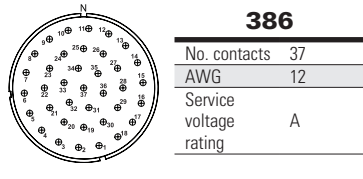
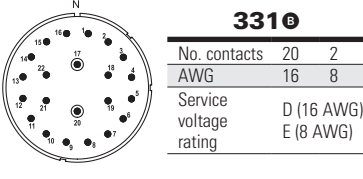
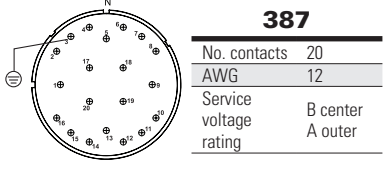
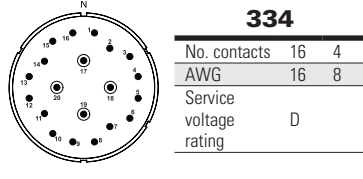
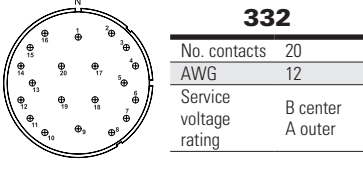
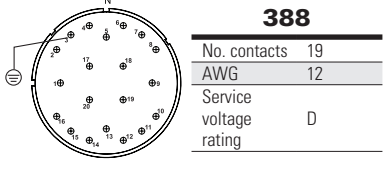
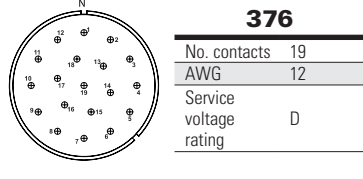
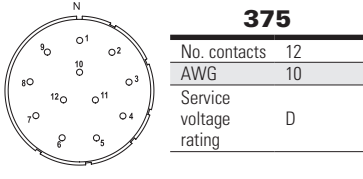
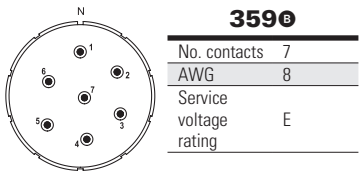
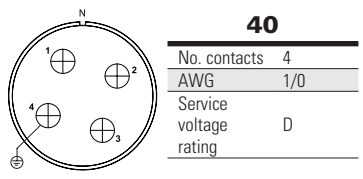
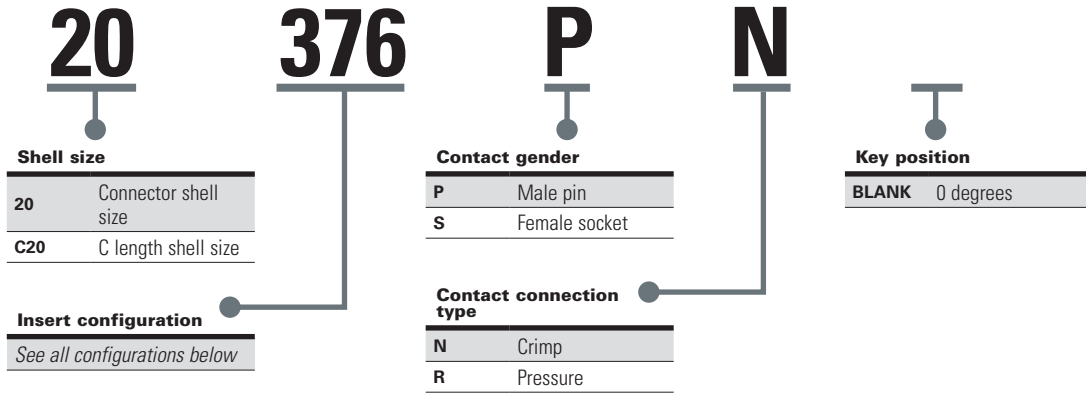
Skirt



Environmental cover

^ACable current rating must meet or exceed the ratings of the contacts to utilize connector at fully rated current.

20 shell



Contact symbol	○	●	⊕	○	⦿	⦿	⊕	⊕	⊕	⊕	⊕	⊕
AWG	18	16	12	10	8	4	1/0	4/0	313 MCM	444 MCM	535 MCM	777 MCM

[Ⓟ]Made to order item. Contact factory for availability and lead time.

9P

24 shell

Applications:

- Heavy duty control and instrumentation

Features:

- Intermateable with other brands
- Reversible inserts are compatible with all panel mount, in-line, male and female shells
- Exclusive visual mating alignment allows for easy installation
- Easily accessible wire terminals
- Ample wiring space within shells
- Double lead thread coupling
- Reversible 8-point diamond cord grip relieves strain on conductors (patent pending)
- Suited for use with Type P cable
- Impact-resistant



Certifications and compliances:

- UL recognized: UL1977
- CSA: C22.2 No. 182.3
- CE marked

Environmental ratings:

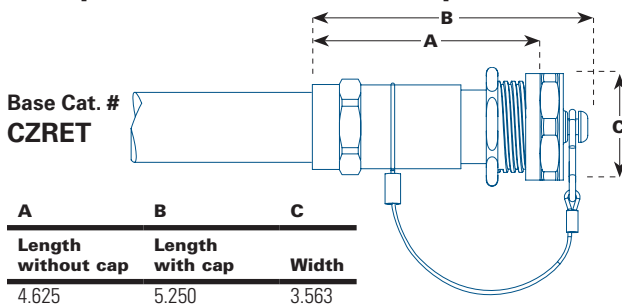
- NEMA 4X, 6P; IP68
- Ambient temperature: -60°C to +55°C

Standard materials and finishes:

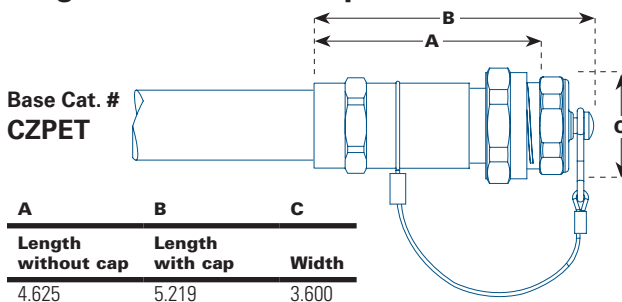
- Contacts – silver plated copper, crimp style
- Shells – high tensile strength aluminum; hard anodic coating per MIL-A-8625, Type III, olive drab color
- Rigid insulators – thermoplastic
- Resilient inserts – silicone rubber

Dimensions (in inches):

Receptacle with conduit adapter

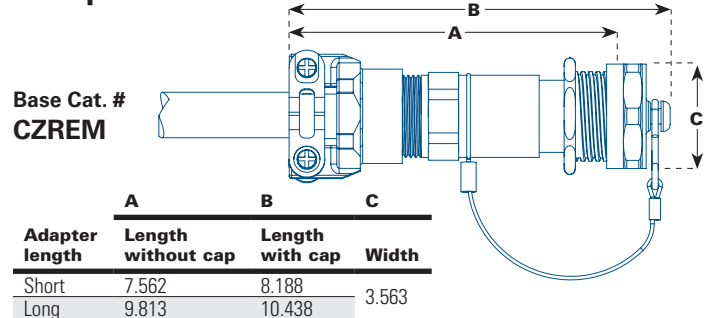


Plug with conduit adapter

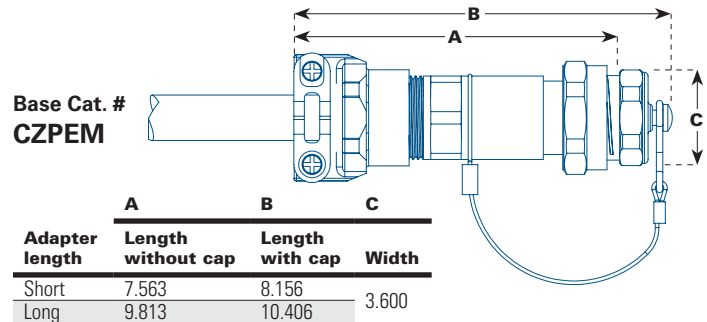


Dimensions (in inches) (continued):

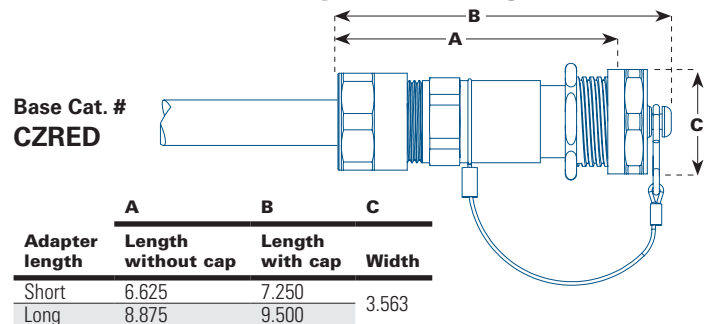
Cable mounted receptacle with mechanical clamp



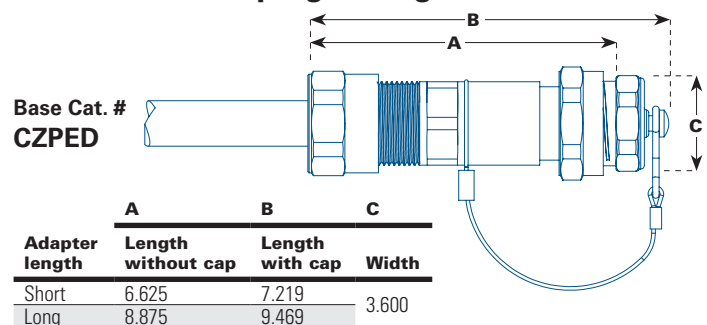
Cable mounted plug with mechanical clamp



Cable mounted receptacle with gland nut



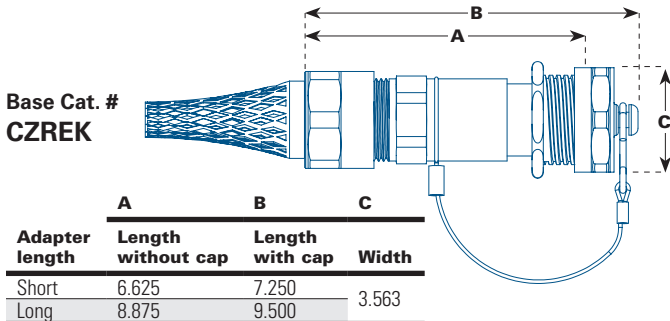
Cable mounted plug with gland nut



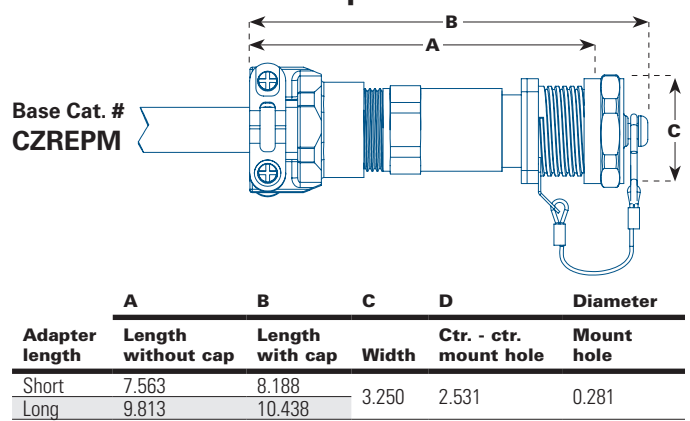
24 shell

Dimensions (in inches) (continued):

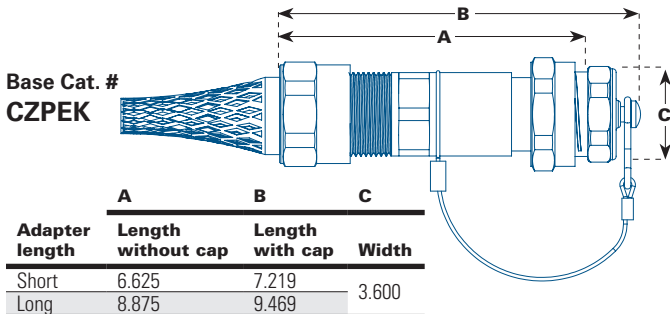
Cable mounted receptacle with basketweave



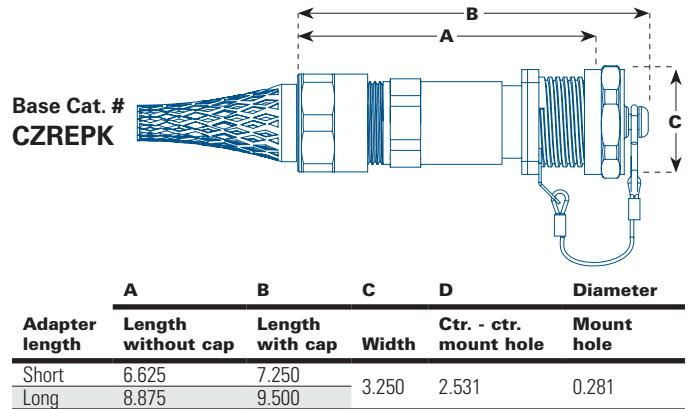
Cable mounted square flange receptacle with mechanical clamp



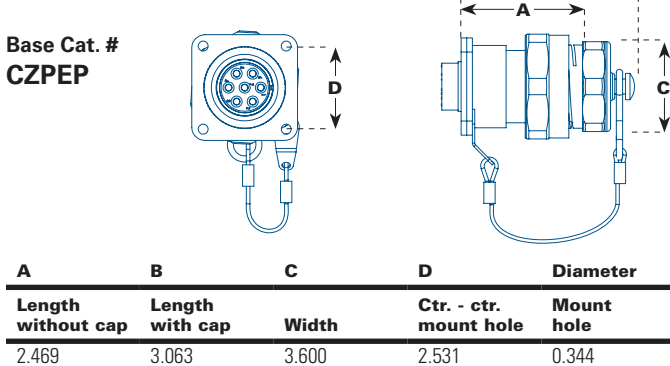
Cable mounted plug with basketweave



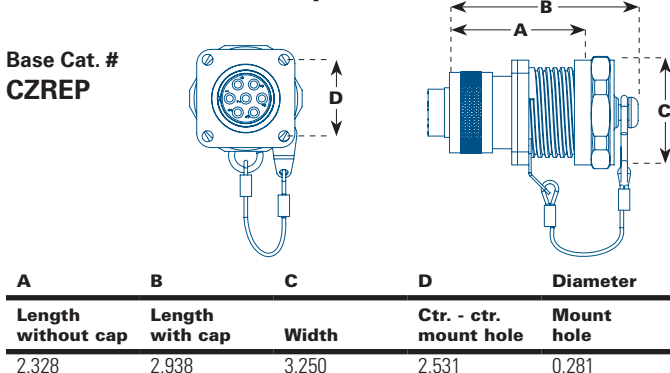
Cable mounted square flange receptacle with basketweave



Panel mounted plug



Panel mounted receptacle



24 shell

Ordering information:

Part number example

CZ-PEKL-1624-371PN

CZ

Series

CZ	Non-hazardous rated connector
----	-------------------------------

Base call-out

P	Plug
R	Receptacle

P

Environmental cover

E	Environmental cover
L	No cover

Cable hardware

K	In-line cable mount with basketweave clamp
M	In-line cable mount with mechanical clamp
D	In-line cable mount with gland nut
P	Panel mount

E

Coupling nut

BLANK	Standard coupling nut
J	Jack nut

Adapter length

L	Long
BLANK	Standard or panel mount

K

Grommet code

BLANK	Panel mount
See table below	
In-line cable mount	

Grommet

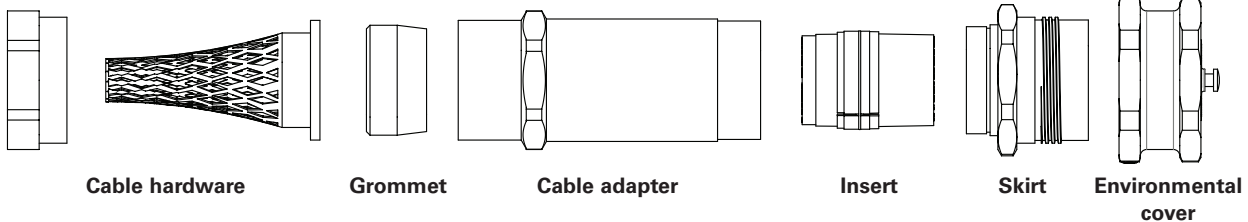
	Cable diameter	
	in.	mm.
16	0.875 - 1.000	22.2 - 25.4
18	1.000 - 1.125	25.4 - 28.6
20	1.125 - 1.250	28.6 - 31.8
22	1.250 - 1.375	31.8 - 34.9
24	1.375 - 1.500	34.9 - 38.1
26	1.500 - 1.625	38.1 - 41.2
28	1.625 - 1.750	41.2 - 44.4
30	1.750 - 1.875	44.4 - 47.6

Contact amperage ratings:

Contact size	Non-circuit breaking current rating ^A
16 AWG	18
12 AWG	30
4/0 AWG	225

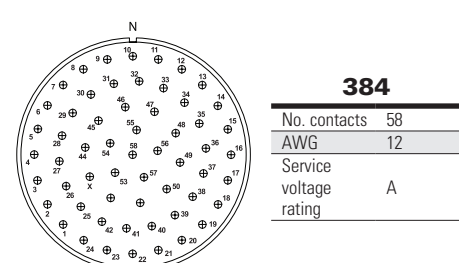
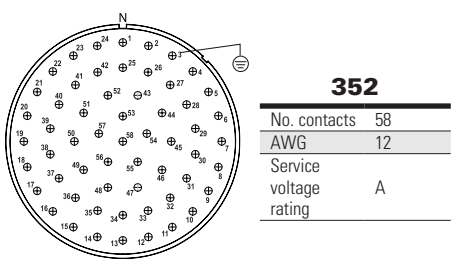
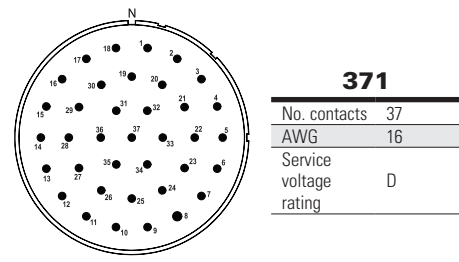
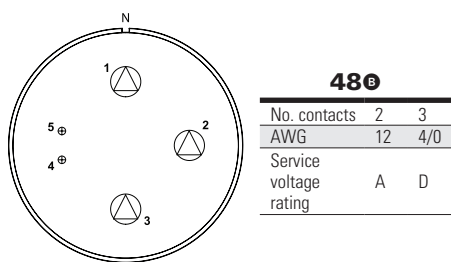
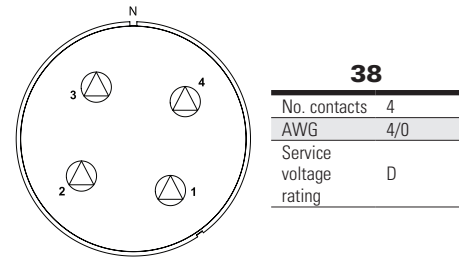
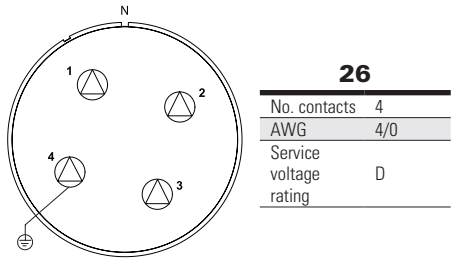
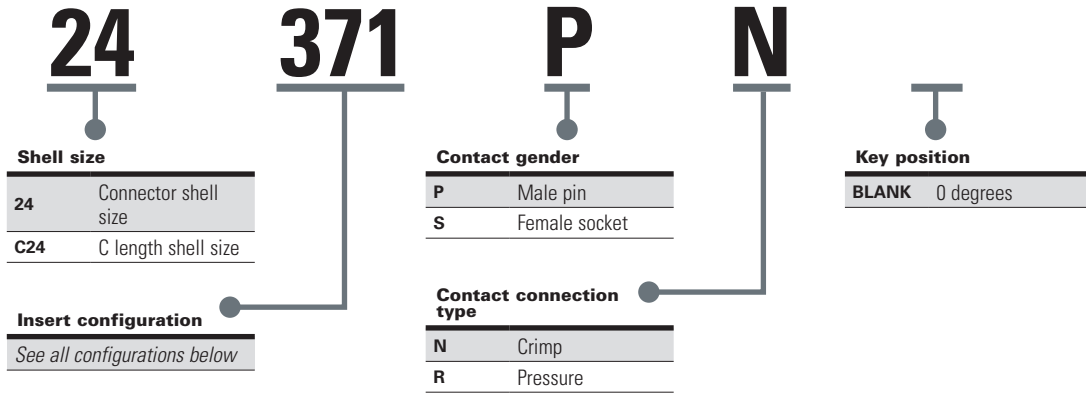
NEC service voltage ratings:

Service voltage	Non-circuit breaking	Circuit breaking
	DC volts RMS	AC volts RMS
A	250	240
D	600	600
E	600	600
B	600	600



^ACable current rating must meet or exceed the ratings of the contacts to utilize connector at fully rated current.

24 shell



Contact symbol	○	●	⊕	○	⊙	●	⊕	⊖	⊖	○	⊙
AWG	18	16	12	10	8	4	1/0	4/0	313 MCM	444 MCM	535 MCM 777 MCM

^BMade to order item. Contact factory for availability and lead time.

28 shell

Applications:

- Heavy duty control and instrumentation

Features:

- Intermateable with other brands
- Reversible inserts are compatible with all panel mount, in-line, male and female shells
- Exclusive visual mating alignment allows for easy installation
- Easily accessible wire terminals
- Ample wiring space within shells
- Double lead thread coupling
- Reversible 8-point diamond cord grip relieves strain on conductors (patent pending)
- Suited for use with Type P cable
- Impact-resistant



Certifications and compliances:

- UL recognized: UL1977
- CSA: C22.2 No. 182.3
- CE marked

Environmental ratings:

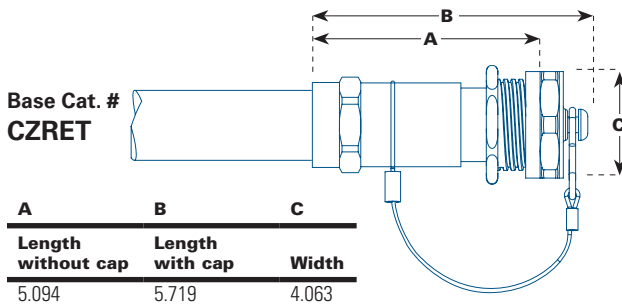
- NEMA 4X, 6P; IP68
- Ambient temperature: -60°C to +55°C

Standard materials and finishes:

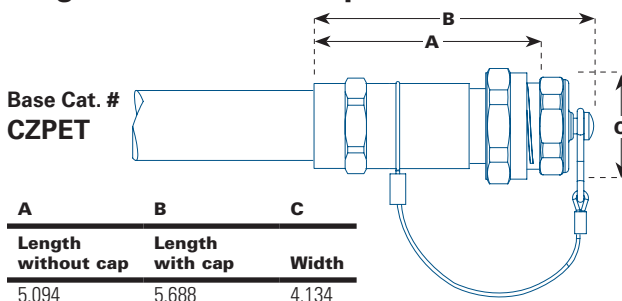
- Contacts – silver plated copper, crimp style
- Shells – high tensile strength aluminum; hard anodic coating per MIL-A-8625, Type III, olive drab color
- Rigid insulators – thermoplastic
- Resilient inserts – silicone rubber

Dimensions (in inches):

Receptacle with conduit adapter

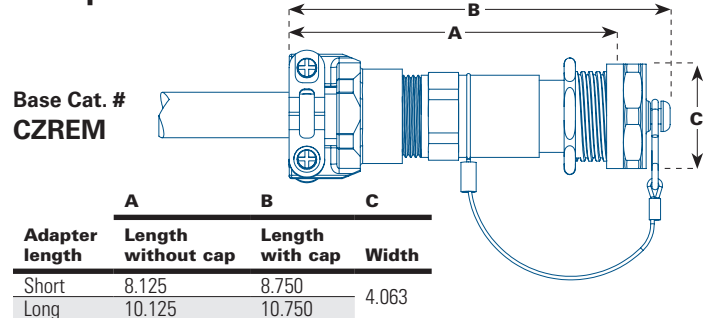


Plug with conduit adapter

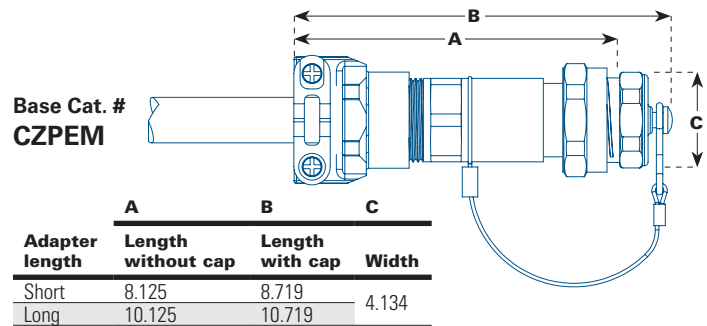


Dimensions (in inches) (continued):

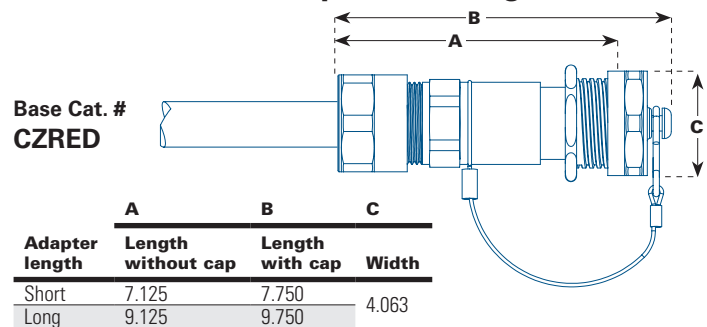
Cable mounted receptacle with mechanical clamp



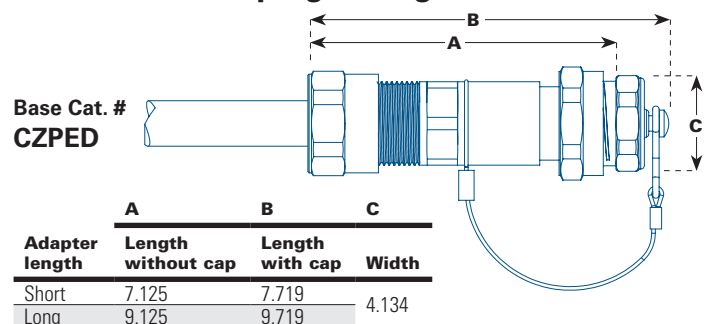
Cable mounted plug with mechanical clamp



Cable mounted receptacle with gland nut



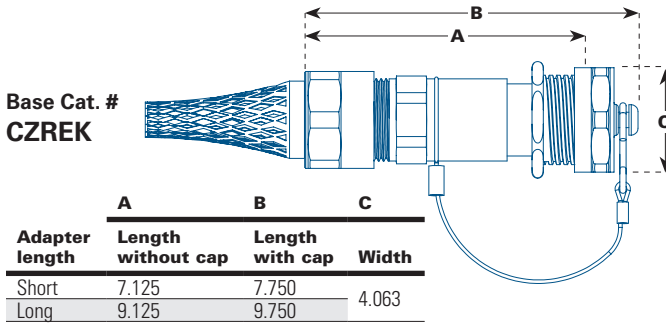
Cable mounted plug with gland nut



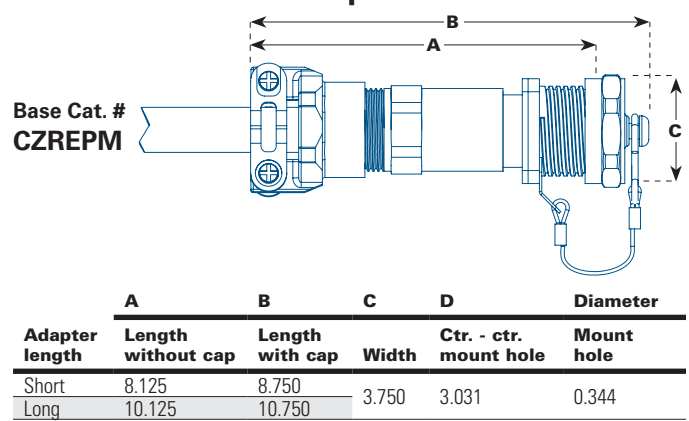
28 shell

Dimensions (in inches) (continued):

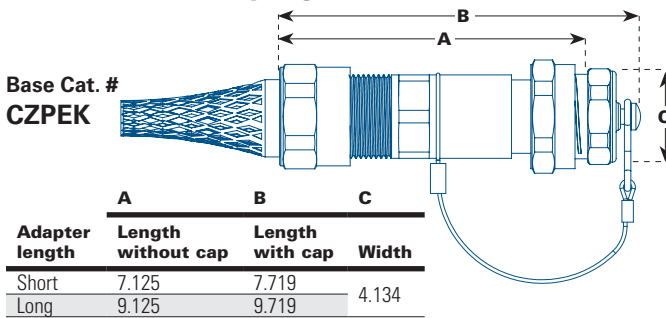
Cable mounted receptacle with basketweave



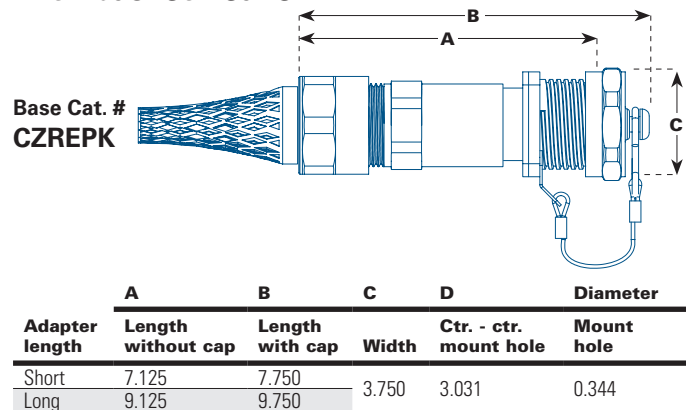
Cable mounted square flange receptacle with mechanical clamp



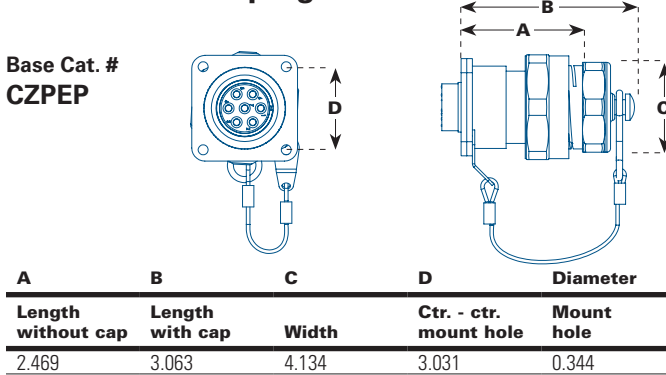
Cable mounted plug with basketweave



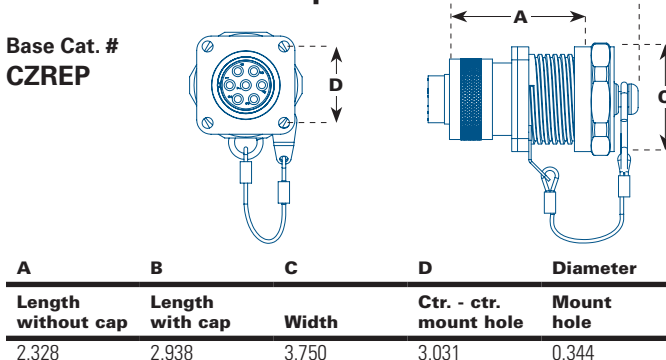
Cable mounted square flange receptacle with basketweave



Panel mounted plug



Panel mounted receptacle



28 shell

Ordering information:

Part number example

CZ-PEKL-2428-339PN

Series

CZ	Non-hazardous rated connector
-----------	-------------------------------

Base call-out

P	Plug
R	Receptacle

Environmental cover

E	Environmental cover
L	No cover

Cable hardware

K	In-line cable mount with basketweave clamp
M	In-line cable mount with mechanical clamp
D	In-line cable mount with gland nut
P	Panel mount

Coupling nut

BLANK	Standard coupling nut
J	Jack nut

Adapter length

L	Long
BLANK	Standard or panel mount

Grommet code

BLANK	Panel mount
See table below	In-line cable mount

Grommet

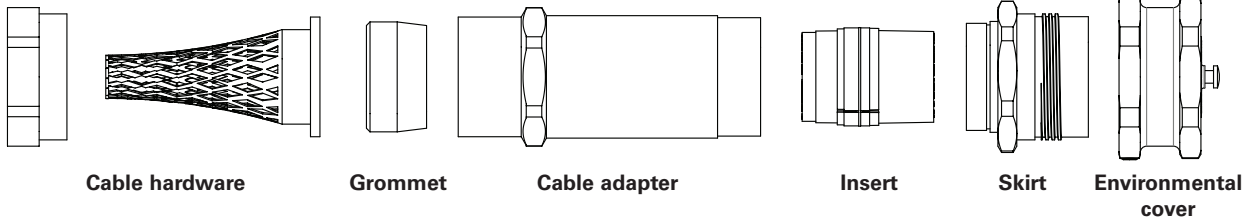
	Cable diameter	
	in.	mm.
24	1.375 - 1.500	34.9 - 38.1
26	1.500 - 1.625	38.1 - 41.3
28	1.625 - 1.750	41.3 - 44.5
30	1.750 - 1.875	44.5 - 47.6
32	1.875 - 2.000	47.6 - 50.8
34	2.000 - 2.125	50.8 - 54.0
36	2.125 - 2.250	54.0 - 57.2
38	2.250 - 2.375	57.2 - 60.3
40	2.375 - 2.500	60.3 - 63.5
42	2.500 - 2.625	63.5 - 66.7
44	2.625 - 2.750	66.7 - 69.9
46	2.750 - 2.875	69.9 - 73.0

Contact amperage ratings:

Contact size	Non-circuit breaking current rating ^A
12 AWG	30
10 AWG	40
8 AWG	55
4/0 AWG	225

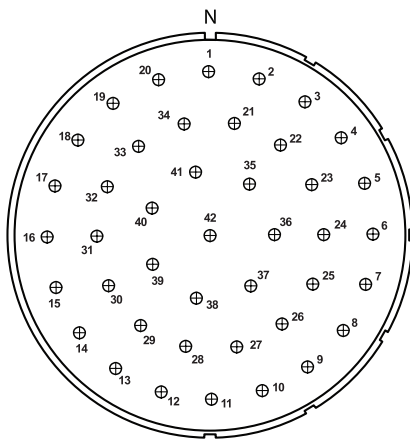
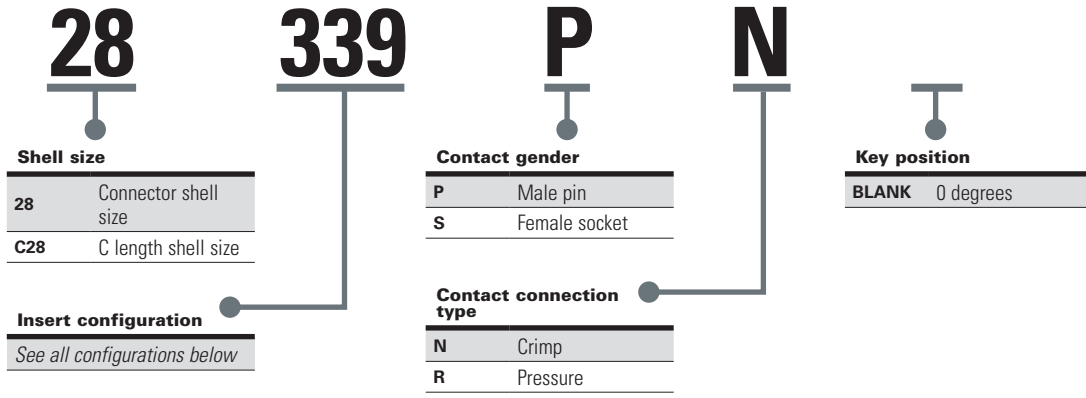
NEC service voltage ratings:

Service voltage	Non-circuit breaking	Circuit breaking
	DC volts RMS	AC volts RMS
A	250	240
D	600	600
E	600	600
B	600	600



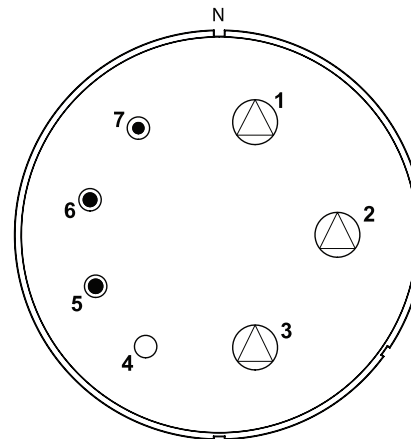
^ACable current rating must meet or exceed the ratings of the contacts to utilize connector at fully rated current.

28 shell



339

No. contacts	42
AWG	12
Service voltage rating	D



H44 (VFD insert)

No. contacts	3	3	1
AWG	4/0	8	10
Service voltage rating	D		

Contact symbol	○	●	⊕	○	⊙	●	⊕	⊖	⊕	⊖	⊕	⊖
AWG	18	16	12	10	8	4	1/0	4/0	313 MCM	444 MCM	535 MCM	777 MCM

CRIG single-pole connectors

C24 shell

UL Recognized
CSA Certified
NEMA 4X, 6P; IP68

9P

Applications:

- Heavy duty single-pole power

Features:

- Intermateable with other brands
- Exclusive visual mating alignment allows for easy installation
- Easily accessible wire terminals
- Ample wiring space within shells
- Multi-lam contacts standard on single-pole connectors:
 - Reduced insertion and removal forces
 - Improved resistance/heat rise performance
- Double lead thread coupling
- Reversible 8-point diamond cord grip relieves strain on conductors (patent pending)
- Suited for use with Type P cable
- Impact-resistant
- Colored shells available for phase marking identification

Certifications and compliances:

- UL recognized: UL486A-486B
- CSA: C22.2 No. 65-13
- CE marked

Environmental ratings:

- NEMA 4X, 6P; IP68
- Ambient temperature: -60°C to +55°C

Standard materials and finishes:

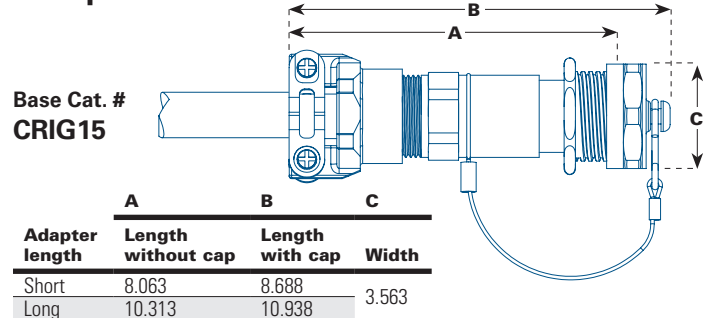
- Contacts – silver plated copper, multi-lam style
- Shells – high tensile strength aluminum; hard anodic coating per MIL-A-8625, Type III, olive drab color
- Rigid insulators – thermoplastic



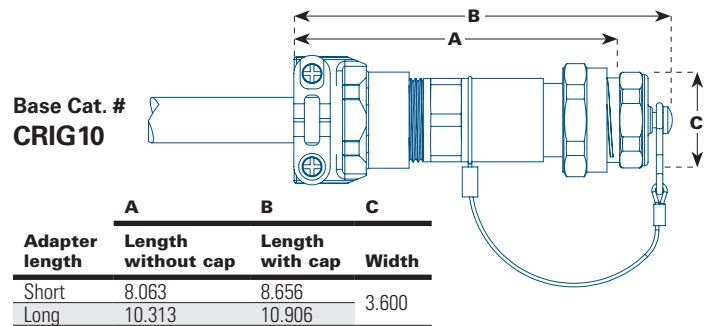
9P

Dimensions (in inches):

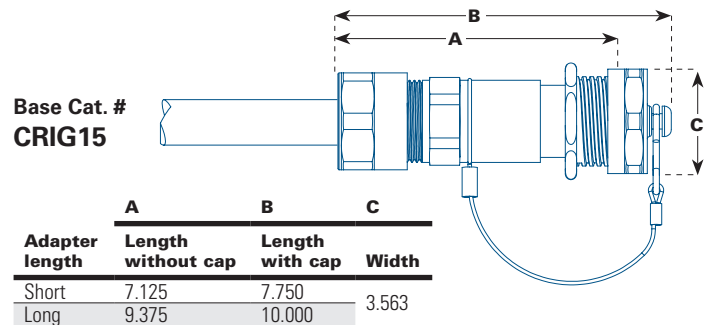
Cable mounted receptacle with mechanical clamp



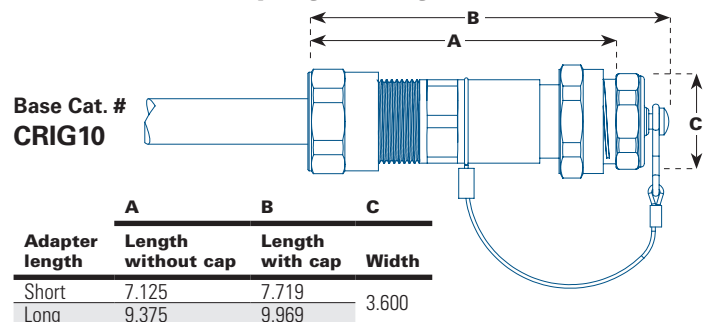
Cable mounted plug with mechanical clamp



Cable mounted receptacle with gland nut



Cable mounted plug with gland nut



CRIG single-pole connectors

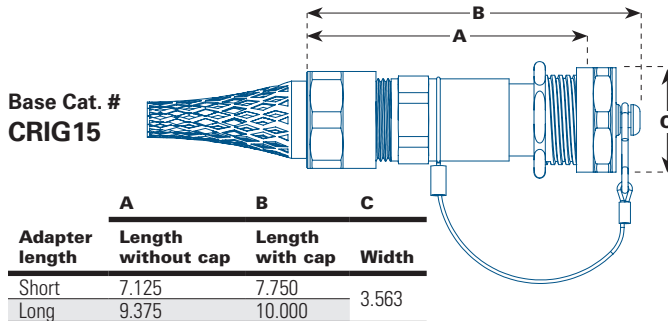
C24 shell

UL Recognized
CSA Certified
NEMA 4X, 6P; IP68

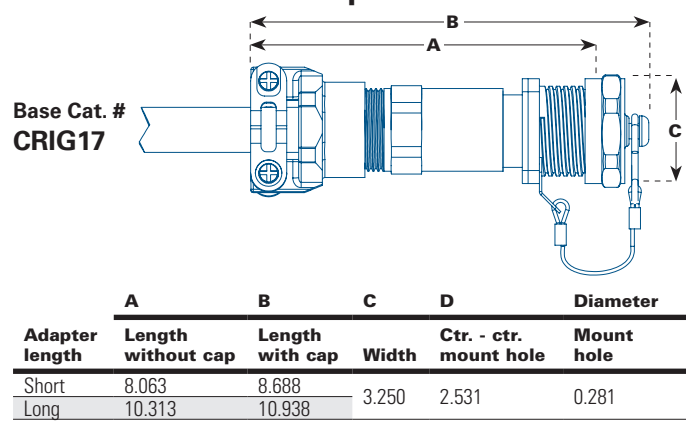
9P

Dimensions (in inches) (continued):

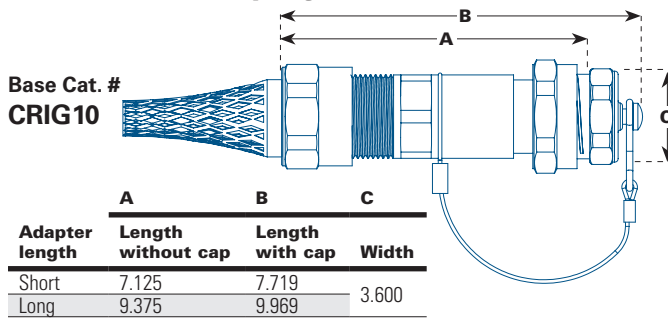
Cable mounted receptacle with basketweave



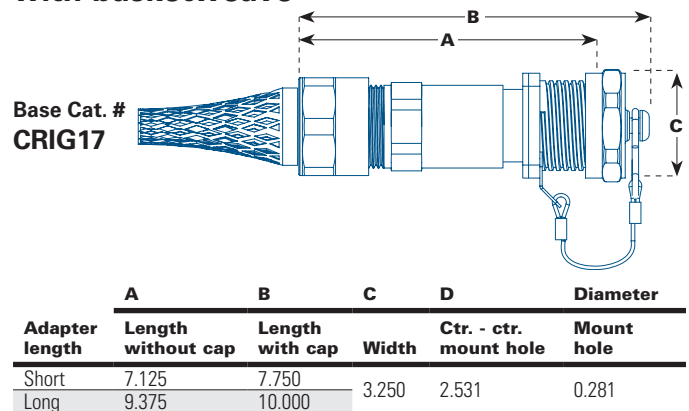
Cable mounted square flange receptacle with mechanical clamp



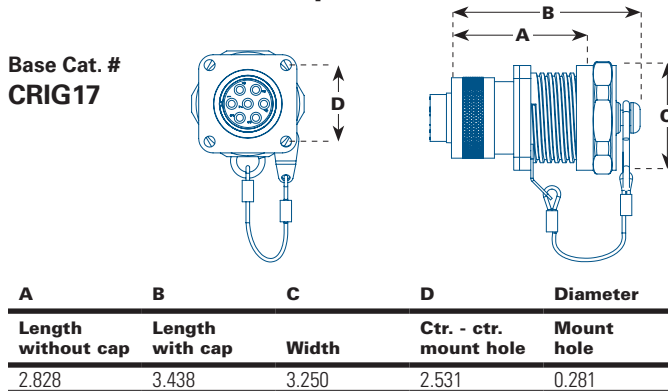
Cable mounted plug with basketweave



Cable mounted square flange receptacle with basketweave



Panel mounted receptacle



A	B	C	D	Diameter
Length without cap	Length with cap	Width	Ctr. - ctr. mount hole	Mount hole
2.828	3.438	3.250	2.531	0.281

9P

CRIG single-pole connectors

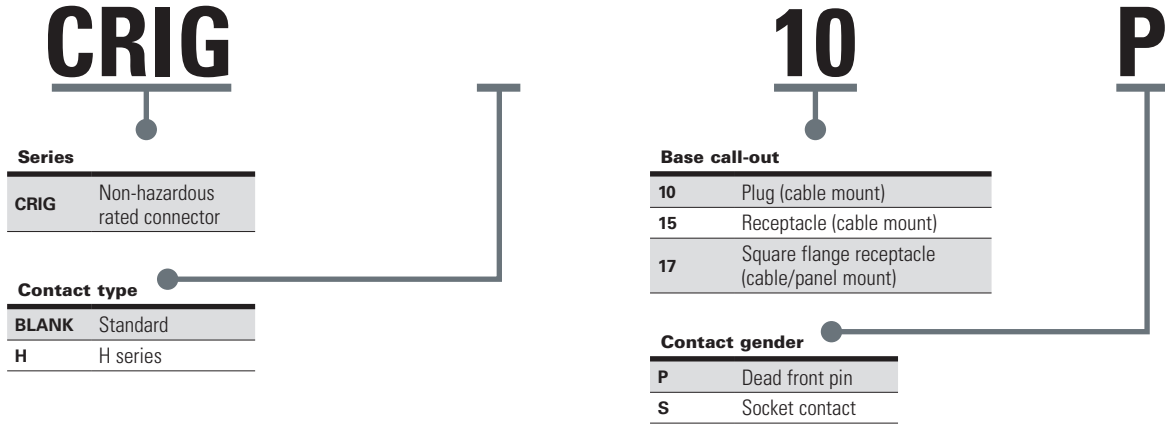
C24 shell

UL Recognized
CSA Certified
NEMA 4X, 6P; IP68

9P

Ordering information:

Part number example
CRIG10P724MBL

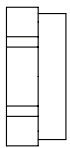


Contact amperage ratings:

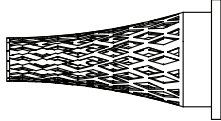
Contact size	Non-circuit breaking current rating ^A
313 MCM	636
444 MCM	796
535 MCM	898
777 MCM	1135

NEC service voltage ratings:

Service voltage	Non-circuit breaking	Circuit breaking
	DC volts RMS	AC volts RMS
A	250	240
D	600	600
E	600	600
B	600	600



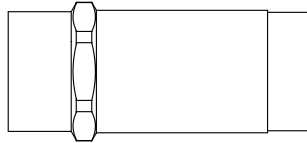
Cable hardware



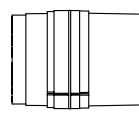
Grommet



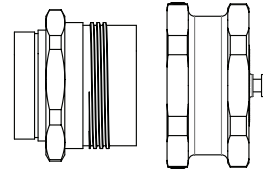
Cable adapter



Insert



Skirt



Environmental cover

^ACable current rating must meet or exceed the ratings of the contacts to utilize connector at fully rated current.

CRIG single-pole connectors

C24 shell

UL Recognized
CSA Certified
NEMA 4X, 6P; IP68

9P

7

Cable size / entry

2	313 kcmil cable
4	444 kcmil cable
5	535 kcmil cable
7	646-777 kcmil cable
R	Panel mount – bus bar entry (connector style 17 only)
N	Panel mount – direct cable entry
<i>See all configurations below</i>	

Grommet

Cable diameter

	in.	mm.
BLANK	<i>If 'R' or 'N' are chosen in Cable Size/Entry category above</i>	
16	0.875 - 1.000	22.2 - 25.4
18	1.000 - 1.125	25.4 - 28.6
20	1.125 - 1.250	28.6 - 31.8
22	1.250 - 1.375	31.8 - 34.9
24	1.375 - 1.500	34.9 - 38.1
26	1.500 - 1.625	38.1 - 41.2
28	1.625 - 1.750	41.2 - 44.4
30	1.750 - 1.875	44.4 - 47.6

24

Cable hardware

BLANK	<i>If 'R' or 'N' are chosen in Cable Size/Entry category on left</i>
K	Basketweave clamp
M	Mechanical clamp
D	Gland nut

Special color code

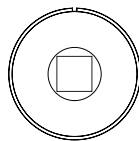
BLANK	No special color
BL	Blue
OR	Orange
Y	Yellow
BR	Brown
R	Red
W	White
BK	Black
G	Green

BL

Coupling nut

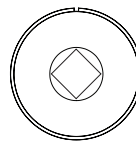
BLANK	Glove nut
ST	Standard

313



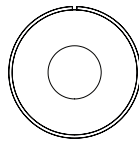
No. contacts	1
AWG	313 MCM
Service voltage rating	1000V
Current rating	636A

444



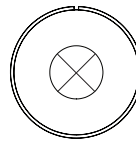
No. contacts	1
AWG	444 MCM
Service voltage rating	1000V
Current rating	796A

535



No. contacts	1
AWG	535 MCM
Service voltage rating	1000V
Current rating	898A

386



No. contacts	1
AWG	777 MCM
Service voltage rating	1000V
Current rating	1135A

Contact symbol	○	●	⊕	○	⦿	●	⊕	△	□	◇	○	⊗
AWG	18	16	12	10	8	4	1/0	4/0	313 MCM	444 MCM	535 MCM	777 MCM

9P